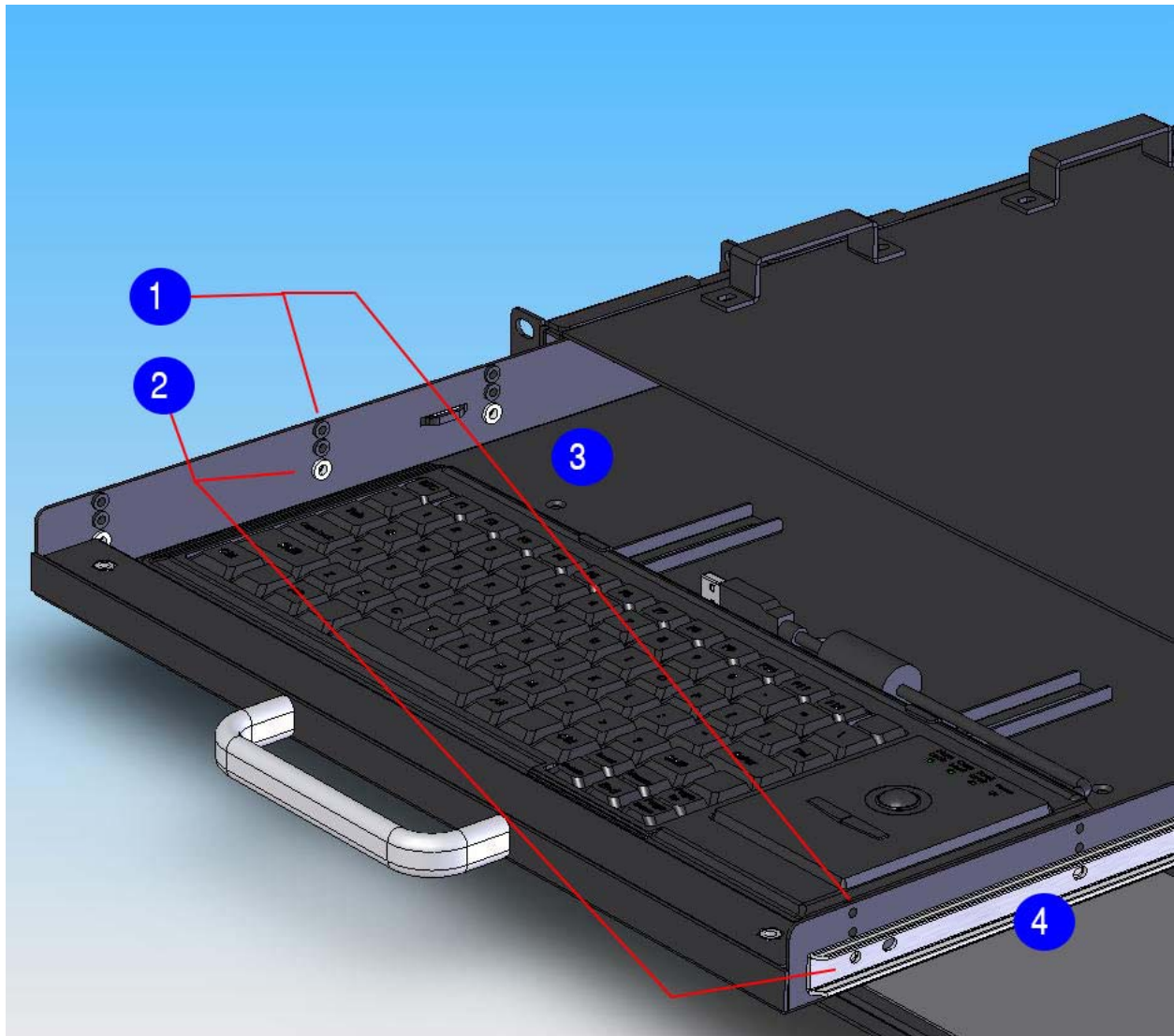


RSF1111BK 1U Keyboard Tray Adjustment Instruction

RSF1111BK 1U shelf with keyboard tray allows you to lower the keyboard tray section to accommodate higher profile keyboard.

Please note that when the keyboard tray is in lowered position, RSF1111BK will occupy more than 1U rack space in your rack.



Step 1. Place your RSF1111BK on a flat surface.

Step 2. Locate the mounting screw holes ② on the sliding rail ④ on both side of the keyboard tray.

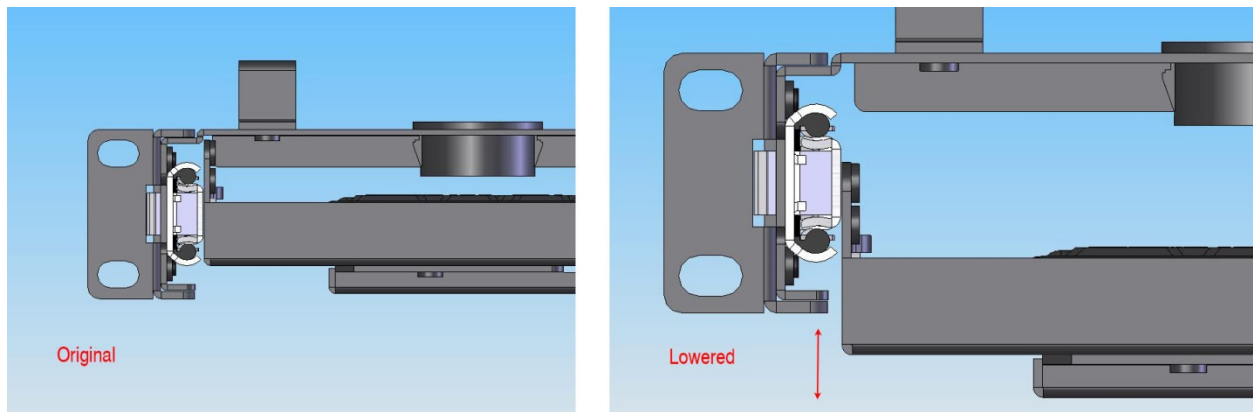
Step 3. Remove 3 screws secure the sliding rail on both side. Total of 6 screws to be removed.

Step 4. Lift the sliding rail ④ on one side until screw holes at position ① matches screw holes on the keyboard tray ③.

Step 5. Insert and secure all 3 screws to keyboard tray ③.

Step 6. Repeat Step 4 to step 5 for other side of the keyboard tray.

Step 7. Adjustment complete.



As you can see the lowered tray position gives you more room for higher profile keyboard.